

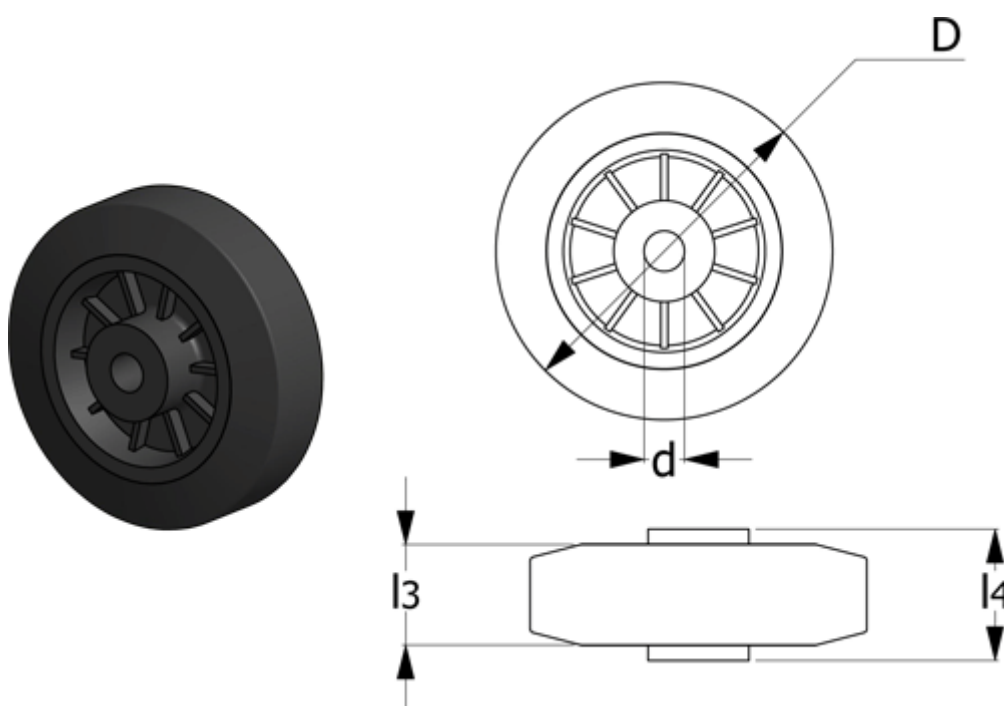
Data Sheet



Article number: 2314449518

Description: E+G rubber wheel 449518
RE.E2-180-RBL loose wheel

Measures



Code	= 449518
d	= 20
D	= 180
Dynamic load (N)	= 1800
g	= 1020
l3	= 45
l4	= 59
Max static load (N)	= 3500

Rolling resistance (N)	= 1300
Type	= RE.E2-180-RBL